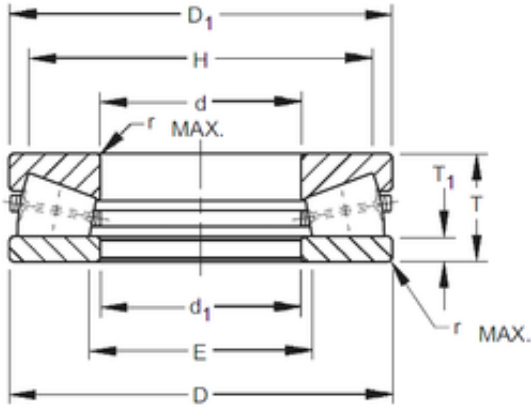




# YNR Bearings Co., Ltd.

## Timken G-3224-C Linear bearing

Bearing No. G-3224-C



G-3224-C Bearing 2D drawings and 3D CAD models

|                |                       |
|----------------|-----------------------|
| Size           | 256.54x546.1x165.1 mm |
| Bore Diameter  | 256,54 mm             |
| Outer Diameter | 546,1 mm              |
| Width          | 165,1 mm              |
| d              | 256,54 mm             |
| D              | 546,1 mm              |
| T              | 165,1 mm              |
| r max          | 6,1 mm                |
| T1             | 34,92 mm              |
| d1             | 258,76 mm             |
| D1             | 542,92 mm             |
| E              | 301,6 mm              |
| H              | 515,9 mm              |