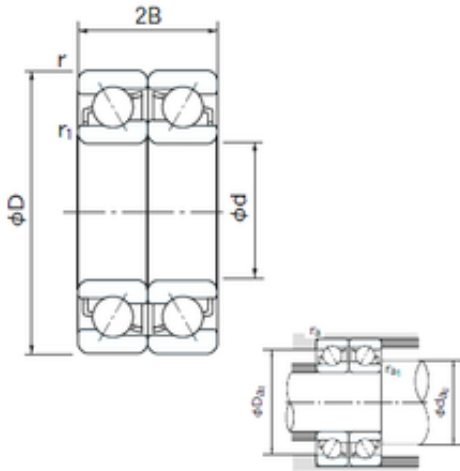




# YNR Bearings Co., Ltd.



## 80 mm x 125 mm x 22 mm NACHI 7016DF Angular contact ball bearing

Bearing No. 7016DF

7016DF Bearing 2D drawings and 3D CAD models

Size	80x125x22 mm
Bore Diameter	80 mm
Outer Diameter	125 mm
Width	22 mm
d	80 mm
D	125 mm
B	22 mm
C	22 mm
Angle ( ° )	30 °
a	18.6 mm
r min.	1.1 mm
r1 min.	0.6 mm
2B	44 mm
da min.	86 mm
Da max.	121 mm
ra max.	0.6 mm
Weight	0.925 Kg
Basic dynamic load rating (C)	86,5 kN
Basic static load rating (C0)	101 kN
(Grease) Lubrication Speed	3500 r/min